



Features

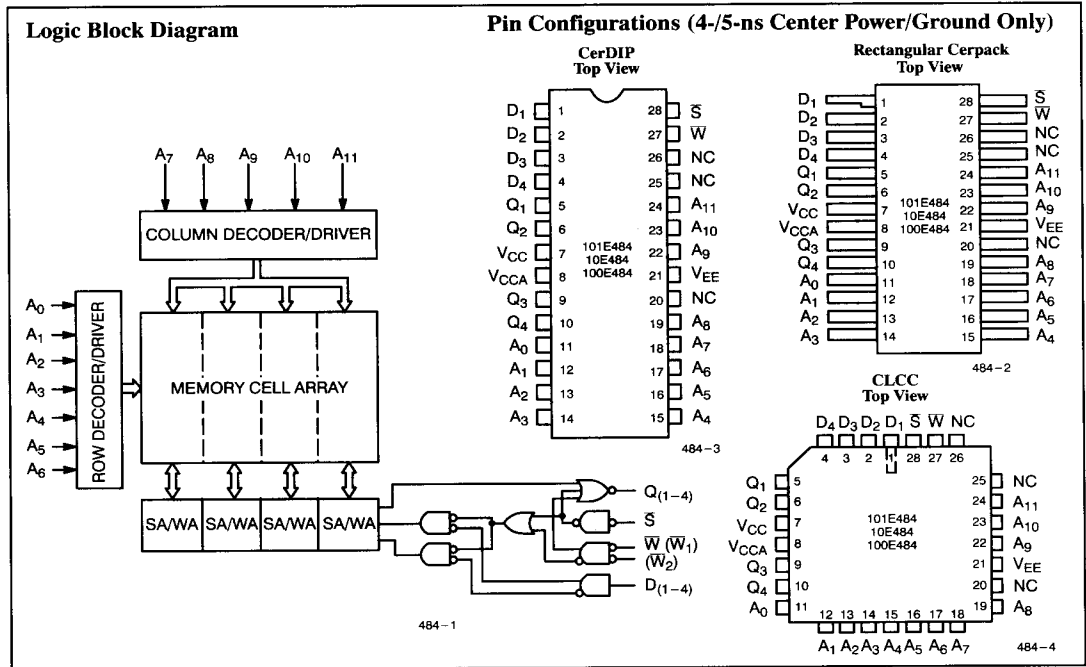
- 4096 x 4-bit organization
- Ultra high speed/standard power
 - $t_{AA} = 4, 5 \text{ ns}$
 - $I_{EE} = 320 \text{ mA}$
- Low-power version
 - $t_{AA} = 7, 10 \text{ ns}$
 - $I_{EE} = 200 \text{ mA}$
- Both 10KH/10K- and 100K-compatible I/O versions
- On-chip voltage compensation for improved noise margin
- Capable of withstanding >2001V ESD

- Open emitter output for ease of memory expansion
- Industry-standard pinout

Functional Description

The Cypress CY101E484, CY10E484, and CY100E484 are 4K x 4 ECL RAMs designed for scratch pad, control, and buffer storage applications. These parts are fully decoded random access memories organized as 4K words by 4 bits. The CY10E484 is 10KH-/10K-compatible. The CY100E484 is 100K-compatible, and the CY101E484 is 100K-compatible with a -5.2V supply.

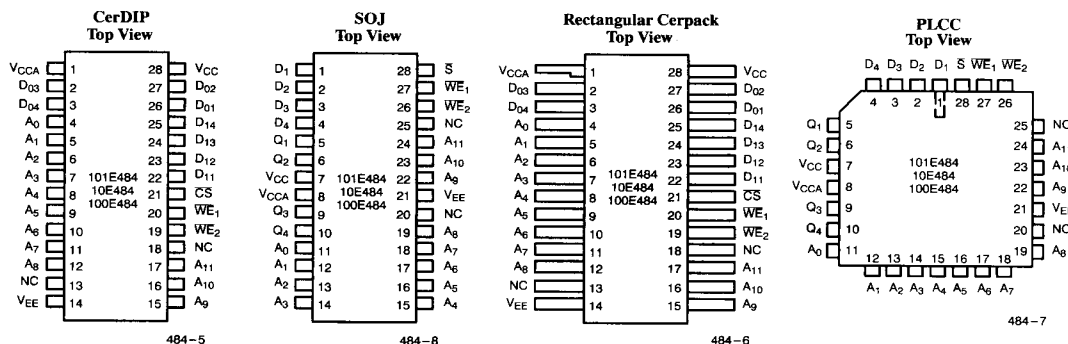
The active LOW chip select (\bar{S}) input controls memory selection and allows for memory expansion. The read and write operations are controlled by the state of the active LOW write enable (\bar{W}) input. With \bar{W} and \bar{S} LOW, the data at $D_{(1-4)}$ is written into the addressed location. To read, \bar{W} is held HIGH while \bar{S} is held LOW. Open emitter outputs allow for wired-OR connection to expand the memory. The 4-ns and 5-ns devices are packaged in 28-pin cerDIPs, CLCCs, and rectangular cerpacks in the high-performance center power-ground version pin configurations. The 7-ns and 10-ns parts are offered with two write enables (\bar{W}_1, \bar{W}_2).



Selection Guide

	101E484-4 10E484-4 100E484-4	101E484-5 10E484-5 100E484-5	101E484-7 10E484-7 100E484-7	101E484-10 10E484-10 100E484-10
Maximum Access Time (ns)	4	5	7	10
I_{EE} Max. (mA)	Standard	320	320	
	Low Power (L)			200
	Military (10K/10KH only)		320	200

Pin Configurations (7 ns, 10 ns)



Maximum Ratings

(Above which the useful life may be impaired. Exposure to absolute maximum rated conditions for extended periods may affect device reliability. For user guidelines, not tested.)

Storage Temperature	- 65°C to +150°C
Ambient Temperature with Power Applied	- 55°C to +125°C
Supply Voltage V _{EE} to V _{CC}	- 7.0V to +0.5V
Input Voltage	V _{EE} to +0.5V
Output Current	- 50 mA

Operating Range Referenced to V_{CC}

Range	I/O	Ambient Temperature	V _{EE}
Commercial (Standard, L)	10KH/ 10K	0°C to 75°C	- 5.2V ±5%
Commercial (Standard, L)	100K	0°C to +85°C	- 4.5V ±0.3V
Commercial (Standard, L)	101	0°C to 75°C	- 5.2V ±5%
Military (Standard, L)	10KH/ 10K	- 55°C to +125°C Case	- 5.2V ±5%

Electrical Characteristics Over the Operating Range

Parameter	Description	Test Conditions	Temperature ^[1]	Min.	Max.	Unit
V _{OH}	Output HIGH Voltage	10E ^[2] R _L = 50Ω to - 2V V _{EE} = - 5.2V V _{CC} = V _{CCA} = GND V _{IN} = V _{IH} Max. or V _{IL} Min.	T _C = - 55°C	- 1140	- 900	mV
			T _A = 0°C	- 1000	- 840	mV
			T _A = +25°C	- 960	- 810	mV
			T _A = +75°C	- 900	- 735	mV
			T _C = +125°C	- 880	- 700	mV
		100/101K R _L = 50Ω to - 2V V _{EE} = - 4.5V (5.2V for 101K) V _{CC} = V _{CCA} = GND V _{IN} = V _{IH} Max. or V _{IL} Min.	T _A = 0°C to 85°C (75°C for 101K)	- 1025	- 880	mV
V _{OL}	Output LOW Voltage	10E R _L = 50Ω to - 2V V _{EE} = - 5.2V V _{CC} = V _{CCA} = GND V _{IN} = V _{IH} Max. or V _{IL} Min.	T _C = - 55°C	- 1920	- 1670	mV
			T _A = +0°C	- 1870	- 1665	mV
			T _A = +25°C	- 1850	- 1650	mV
			T _A = +75°C	- 1830	- 1625	mV
			T _C = +125°C	- 1830	- 1610	mV
		100/101K R _L = 50Ω to - 2V V _{EE} = - 4.5V (5.2V for 101K) V _{CC} = V _{CCA} = GND V _{IN} = V _{IH} Max. or V _{IL} Min.	T _A = 0°C to 85°C (75°C for 101K)	- 1810	- 1620	mV

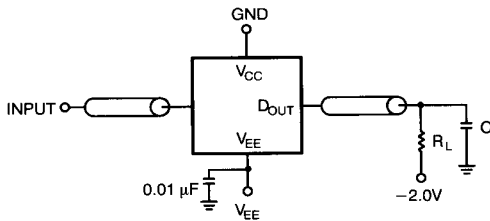
Electrical Characteristics Over the Operating Range (continued)

Parameter	Description	Test Conditions	Temperature ^[1]	Min.	Max.	Unit
V _{IH}	Input HIGH Voltage	10E V _{EE} = - 5.2V V _{CC} = V _{CCA} = GND	T _C = -55°C	-1260	-900	mV
			T _A = 0°C	-1170	-840	mV
			T _A = +25°C	-1130	-810	mV
			T _A = +75°C	-1070	-720	mV
			T _C = +125°C	-1030	-700	mV
		100K V _{EE} = - 4.5V (- 5.2V for 101K), V _{CC} = V _{CCA} = GND	T _A = 0°C to 85°C (75°C for 101K)	-1165	-880	mV
V _{IL}	Input LOW Voltage	10E V _{EE} = - 5.2V V _{CC} = V _{CCA} = GND	T _C = -55°C	-1950	-1540	mV
			T _A = 0°C	-1950	-1480	mV
			T _A = +25°C	-1950	-1475	mV
			T _A = +75°C	-1950	-1450	mV
			T _C = +125°C	-1950	-1450	mV
		100/101K V _{EE} = - 4.5V (- 5.2V for 101K), V _{CC} = V _{CCA} = GND	T _A = 0°C to 85°C (75°C for 101K)	-1810	-1475	mV
I _{IH}	Input HIGH Current	V _{IN} = V _{IH} Max.			220	μA
I _{IL}	Input LOW Current	V _{IN} = V _{IL} Min.	S inputs	0.5	170	μA
			All other inputs	-50		
I _{EE}	Supply Current (All inputs and outputs open)	Commercial/Military L (Low Power)		-200		mA
		Commercial and Military Standard Power		-320		mA

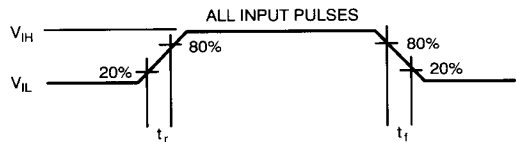
Capacitance^[3]

Parameter	Description	Typ.	Max. ^[4]	Unit
C _{IN}	Input Pin Capacitance	4	6	pF
C _{OUT}	Output Pin Capacitance	5	7	pF

AC Test Loads and Waveforms^[5, 6, 7, 8, 9, 10]



484-9



484-10

Notes:

- Commercial grade is specified as ambient temperature with transverse air flow greater than 500 linear feet per minute. Military grade is specified as case temperature.
- 10E specifications support both 10K and 10KH compatibility.
- Tested initially and after any design or process changes that may affect these parameters.
- For all packages except cerDIP (D42), which has maximums of C_{IN} = 8 pF, C_{OUT} = 9 pF.
- V_{IL} = V_{IL} Min., V_{IH} = V_{IH} Max. on 10E version.
- V_{IL} = -1.7V, V_{IH} = -0.9V on 100K version.
- R_L = 50Ω, C < 5 pF (4-, 5-ns grade) or < 30 pF (7-, 10-ns grade). Includes fixture and stray capacitance.
- All coaxial cables should be 50Ω with equal lengths. The delay of the coaxial cables should be "nulled" out of the measurement.
- t_r = t_f = 0.7 ns.
- All timing measurements are made from the 50% point of all waveforms.

Switching Characteristics Over the Commercial Operating Range

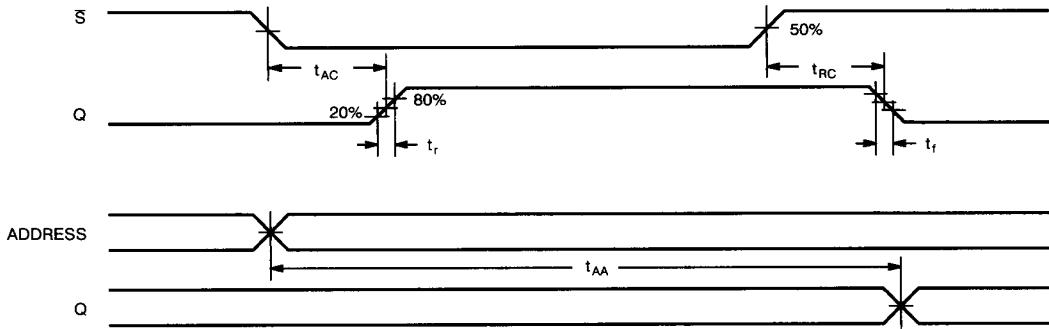
Parameter	Description	101E484-4 10E484-4 100E484-4		101E484-5 10E484-5 100E484-5		101E484-7 10E484-7 100E484-7		101E484-10 10E484-10 100E484-10		Unit
		Min.	Max.	Min.	Max.	Min.	Max.	Min.	Max.	
t _{AC}	Input to Output Delay		3		3	0.5	4	0.5	5	ns
t _{RC}	Chip Select Recovery		3		3	0.5	4	0.5	5	ns
t _{AA}	Address Access Time		4		5	1.2	7	1.2	10	ns
t _{WW}	Write Pulse Width	5		5		5		6		ns
t _{NWW}	Non-Write Pulse		1.5		1.5		1.5		1.5	ns
t _{SD}	Data Set-Up to Write	0		0		1		2		ns
t _{HD}	Data Hold to Write	0		0		1		2		ns
t _{SA}	Address Set-Up/Write	0		0		1		2		ns
t _{HA}	Address Hold/Write	0		0		1		2		ns
t _{SC}	Chip Select Set-Up/Write	0		0		1		2		ns
t _{HC}	Chip Select Hold/Write	0		0		1		2		ns
t _{WS}	Write Disable	0.3	3	0.3	3	0.3	5	0.3	5	ns
t _{WR}	Write Recovery	0.5	4	0.5	5	0.5	8	0.5	12	ns
t _r	Output Rise Time	0.35	1.5	0.35	1.5	1	2.5	1	2.5	ns
t _f	Output Fall Time	0.35	1.5	0.35	1.5	1	2.5	1	2.5	ns

Switching Characteristics Over the Military Operating Range

Parameter	Description	10E484-5		10E484-7		10E484-10		Unit
		Min.	Max.	Min.	Max.	Min.	Max.	
t _{AC}	Input to Output Delay		3	0.5	4	0.5	5	ns
t _{RC}	Chip Select Recovery		3	0.5	4	0.5	5	ns
t _{AA}	Address Access Time		5	1.2	7	1.2	10	ns
t _{WW}	Write Pulse Width	5		5		6		ns
t _{NWW}	Non-Write Pulse		1.5		1.5		1.5	ns
t _{SD}	Data Set-Up to Write	1		1		2		ns
t _{HD}	Data Hold to Write	1		1		2		ns
t _{SA}	Address Set-Up/Write	1		1		2		ns
t _{HA}	Address Hold/Write	1		1		2		ns
t _{SC}	Chip Select Set-Up/Write	1		1		2		ns
t _{HC}	Chip Select Hold/Write	1		1		2		ns
t _{WS}	Write Disable	0.3	3	0.3	5	0.3	5	ns
t _{WR}	Write Recovery	0.5	5	0.5	8	0.5	12	ns
t _r	Output Rise Time	0.35	1.5	1	2.5	1	2.5	ns
t _f	Output Fall Time	0.35	1.5	1	2.5	1	2.5	ns

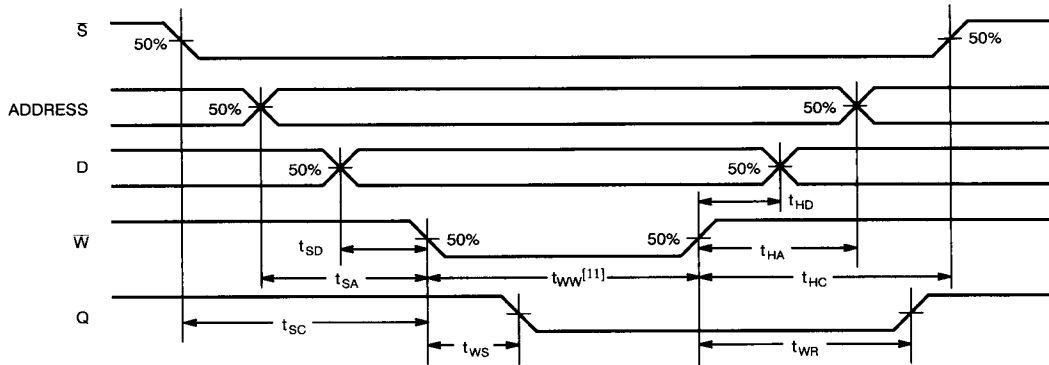
Switching Waveforms

Read Mode



484-11

Write Mode



484-12

Truth Table

Inputs			Output	Mode
\bar{S}	\bar{W}	D	Q	
H	X	X	L	Disabled
L	L	H	L	Write H
L	L	L	L	Write L
L	H ^[12]	X	D _{OUT}	Read

Notes:

11. If $t_{WW} \leq t_{NWW}$ the device will not write data to the addressed location.

12. The 7-ns and 10-ns parts have two \bar{WE} pins. Both \bar{WE}_1 and \bar{WE}_2 must be LOW to initiate write operation.

Ordering Information

I/O	I _{EE} (mA)	t _{AA} (ns)	Ordering Code	Package Name	Package Type/ Pinout	Operating Range
101E ^[13]	320	4	CY101E484-4DC	D42	28-Lead (400-Mil) CerDIP Center Power/Ground	Commercial
			CY101E484-4KC	K80	28-Lead Rectangular Cerpack Center Power/Ground	
			CY101E484-4YC	Y64	28-Pin Ceramic Leaded Chip Carrier Center Power/Ground	
		5	CY101E484-5DC	D42	28-Lead (400-Mil) CerDIP Center Power/Ground	
			CY101E484-5KC	K80	28-Lead Rectangular Cerpack Center Power/Ground	
			CY101E484-5YC	Y64	28-Pin Ceramic Leaded Chip Carrier Center Power/Ground	
	200	7	CY101E484L-7DC	D42	28-Lead (400-Mil) CerDIP Corner Power/Ground	Commercial
			CY101E484L-7JC	J64	28-Lead Plastic Leaded Chip Carrier Corner Power/Ground	
			CY101E484L-7KC	K80	28-Lead Rectangular Cerpack Corner Power/Ground	
			CY101E484L-7VC	V21	28-Lead Molded SOJ Center Power/Ground	
		10	CY101E484L-10DC	D42	28-Lead (400-Mil) CerDIP Corner Power/Ground	
			CY101E484L-10JC	J64	28-Lead Plastic Leaded Chip Carrier Corner Power/Ground	
CY101E484L-10KC	K80		28-Lead Rectangular Cerpack Corner Power/Ground			
CY101E484L-10VC	V21		28-Lead Molded SOJ Center Power/Ground			

Note:

13. 101E specifications are 100K-compatible with -5.2V supplies.

Ordering Information (continued)

I/O	I _{EE} (mA)	t _{AA} (ns)	Ordering Code	Package Name	Package Type/ Pinout	Operating Range
100E	320	4	CY100E484-4DC	D42	28-Lead (400-Mil) CerDIP Center Power/Ground	Commercial
			CY100E484-4KC	K80	28-Lead Rectangular Cerpack Center Power/Ground	
			CY100E484-4YC	Y64	28-Pin Ceramic Leaded Chip Carrier Center Power/Ground	
		5	CY100E484-5DC	D42	28-Lead (400-Mil) CerDIP Center Power/Ground	
			CY100E484-5KC	K80	28-Lead Rectangular Cerpack Center Power/Ground	
			CY100E484-5YC	Y64	28-Pin Ceramic Leaded Chip Carrier Center Power/Ground	
200		7	CY100E484L-7DC	D42	28-Lead (400-Mil) CerDIP Corner Power/Ground	Commercial
			CY100E484L-7JC	J64	28-Lead Plastic Leaded Chip Carrier Corner Power/Ground	
			CY100E484L-7KC	K80	28-Lead Rectangular Cerpack Corner Power/Ground	
			CY100E484L-7VC	V21	28-Lead Molded SOJ Center Power/Ground	
		10	CY100E484L-10DC	D42	28-Lead (400-Mil) CerDIP Corner Power/Ground	
			CY100E484L-10JC	J64	28-Lead Plastic Leaded Chip Carrier Corner Power/Ground	
			CY100E484L-10KC	K80	28-Lead Rectangular Cerpack Corner Power/Ground	
			CY100E484L-10VC	V21	28-Lead Molded SOJ Center Power/Ground	

Ordering Information (continued)

I/O	I _{EE} (mA)	t _{AA} (ns)	Ordering Code	Package Name	Package Type/ Pinout	Operating Range	
10E ^[14]	320	4	CY10E484-4DC	D42	28-Lead (400-Mil) CerDIP Center Power/Ground	Commercial	
			CY10E484-4KC	K80	28-Lead Rectangular Cerpack Center Power/Ground		
			CY10E484-4YC	Y64	28-Pin Ceramic Leaded Chip Carrier Center Power/Ground		
		5	CY10E484-5DC	D42	28-Lead (400-Mil) CerDIP Center Power/Ground		Military
			CY10E484-5KC	K80	28-Lead Rectangular Cerpack Center Power/Ground		
			CY10E484-5YC	Y64	28-Pin Ceramic Leaded Chip Carrier Center Power/Ground		
			CY10E484-5DMB	D42	28-Lead (400-Mil) CerDIP Center Power/Ground		
			CY10E484-5KMB	K80	28-Lead Rectangular Cerpack Center Power/Ground		
	200	7	CY10E484L-7DC	D42	28-Lead (400-Mil) CerDIP Corner Power/Ground	Commercial	
			CY10E484L-7JC	J64	28-Lead Plastic Leaded Chip Carrier Corner Power/Ground		
			CY10E484L-7KC	K80	28-Lead Rectangular Cerpack Corner Power/Ground		
			CY10E484L-7VC	V21	28-Lead Molded SOJ Center Power/Ground		
			CY10E484L-7DMB	D42	28-Lead (400-Mil) CerDIP Corner Power/Ground		Military
			CY10E484L-7KMB	K80	28-Lead Rectangular Cerpack Corner Power/Ground		
		10	CY10E484L-10DC	D42	28-Lead (400-Mil) CerDIP Corner Power/Ground	Commercial	
			CY10E484L-10JC	J64	28-Lead Plastic Leaded Chip Carrier Corner Power/Ground		
			CY10E484L-10KC	K80	28-Lead Rectangular Cerpack Corner Power/Ground		
CY10E484L-10VC			V21	28-Lead Molded SOJ Center Power/Ground			
CY10E484L-10DMB			D42	28-Lead (400-Mil) CerDIP Corner Power/Ground	Military		
CY10E484L-10KMB			K80	28-Lead Rectangular Cerpack Corner Power/Ground			

Note:

14. 10E specifications support both 10K and 10KH compatibility.

Document #: 38-A-00005-F